

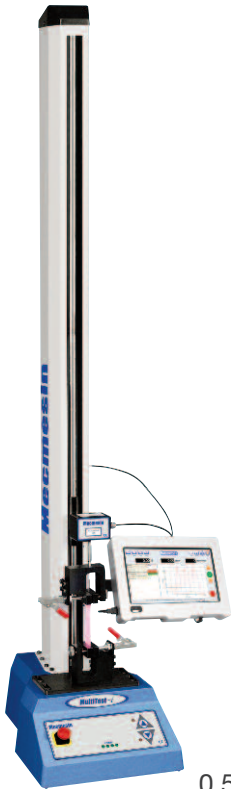
Mecmesin

testing to perfection

MultiTest-xt Technical Datasheet



MultiTest 0.5-xt, 1-xt & 2.5-xt



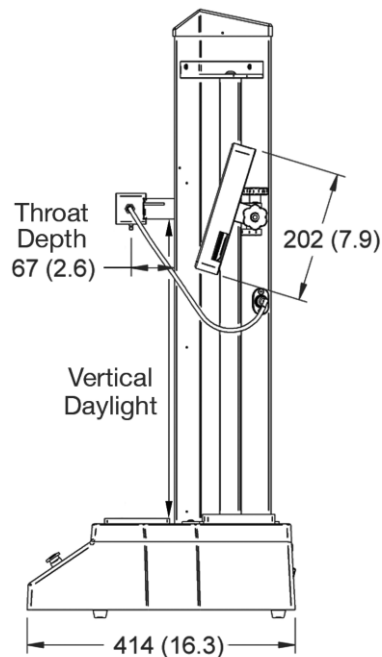
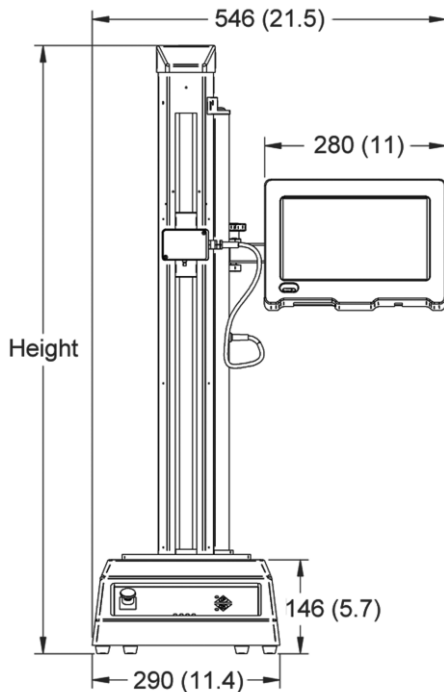
0.5kN



1kN



2.5kN



All measurements are in millimetres and (inches)

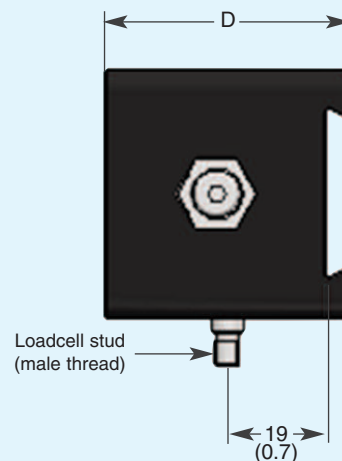
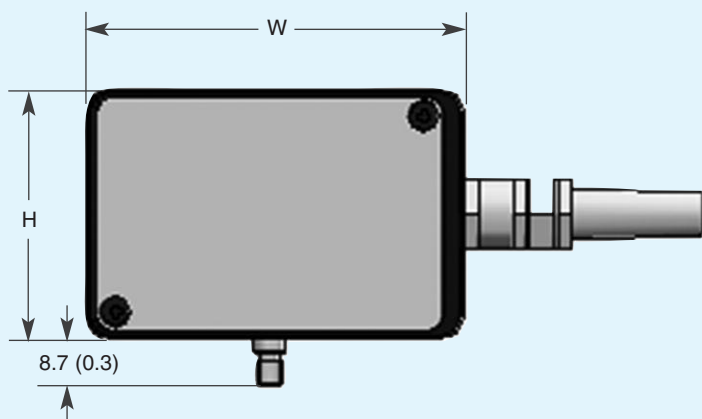
	Height	Width (test frame only)	Max Width (with console fitted)	Depth	Vertical Daylight*
MultiTest 0.5-xt	1710mm (67.3)	290mm (11.4)	546mm (21.5)	414mm (16.3)	1359mm (53.5)
MultiTest 1-xt	1510mm (59.4)	290mm (11.4)	546mm (21.5)	414mm (16.3)	1159mm (45.6)
MultiTest 2.5-xt	941mm (37)	290mm (11.4)	546mm (21.5)	414mm (16.3)	590mm (23.2)

* Measured without loadcell or grips

Intelligent Loadcell ILC

NOTE: Compatible with all test stands of equal or higher capacity than loadcell.

Requires adaptor 432-256 to fit to MultiTest 10-xt, 25-xt & 50-xt.



All measurements are in millimetres and (inches)

ILC capacity	Part No.	Thread	Overall daylight reduction	Loadcell width (W)	Loadcell depth (D)	Loadcell height (H)	Total daylight reduction using twin-column dovetail (432-256)
2N	879-009	#10-32UNF	15 (0.59)	72 (2.8)	46.5 (1.8)	48 (1.9)	99 (3.9)
5N	879-010	#10-32UNF	15 (0.59)	72 (2.8)	46.5 (1.8)	48 (1.9)	99 (3.9)
10N	879-001	#10-32UNF	15 (0.59)	72 (2.8)	46.5 (1.8)	48 (1.9)	99 (3.9)
25N	879-002	#10-32UNF	15 (0.59)	72 (2.8)	46.5 (1.8)	48 (1.9)	99 (3.9)
50N	879-003	#10-32UNF	15 (0.59)	72 (2.8)	46.5 (1.8)	48 (1.9)	99 (3.9)
100N	879-004	#10-32UNF	15 (0.59)	72 (2.8)	46.5 (1.8)	48 (1.9)	99 (3.9)
250N	879-005	#10-32UNF	15 (0.59)	72 (2.8)	46.5 (1.8)	48 (1.9)	99 (3.9)
500N	879-006	#10-32UNF	15 (0.59)	72 (2.8)	46.5 (1.8)	48 (1.9)	99 (3.9)

See page 3 for ILS-S loadcells (100N to 5000N)

ILC Load Measurement Accuracy

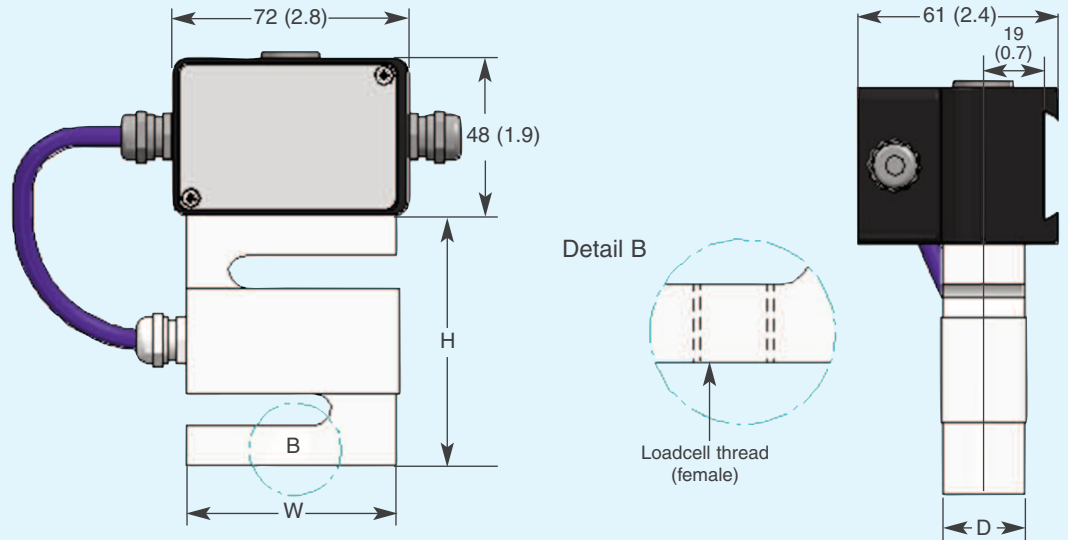
% of full scale (fs)	N
±0.1% fs	2N - 500N

MultiTest 5-xt



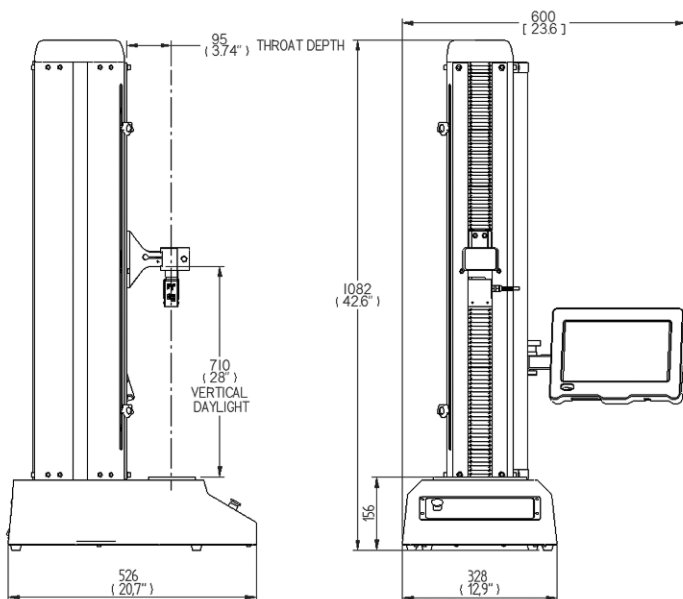
Intelligent Loadcell ILC-S

NOTE: Compatible with all test stands of equal or higher capacity than loadcell
Requires adaptor 432-256 to fit to MultiTest 10-xt, 25-xt & 50-xt



ILC-S capacity	Part No.	Thread	Overall daylight reduction	Loadcell width (W)	Loadcell depth (D)	Loadcell height (H)	Total daylight reduction using twin-column dovetail (432-256)
100N	879-064	M6 x 1	70 (2.7)	51 (2)	13 (0.5)	64 (2.5)	154 (6)
200N	879-065	M6 x 1	70 (2.7)	51 (2)	13 (0.5)	64 (2.5)	154 (6)
500N	879-066	M6 x 1	82 (3.2)	51 (2)	19 (0.7)	76 (2.9)	166 (6.5)
1000N	879-067	M10 x 1.5	82 (3.2)	51 (2)	19 (0.7)	76 (2.9)	166 (6.5)
2500N	879-008	M12 x 1.75	82 (3.2)	51 (2)	25 (0.98)	76 (2.9)	166 (6.5)
5000N	879-024	M12 x 1.75	82 (3.2)	51 (2)	25 (0.98)	76 (2.9)	166 (6.5)

All measurements are in millimetres and (inches)



ILC-S Load Measurement Accuracy

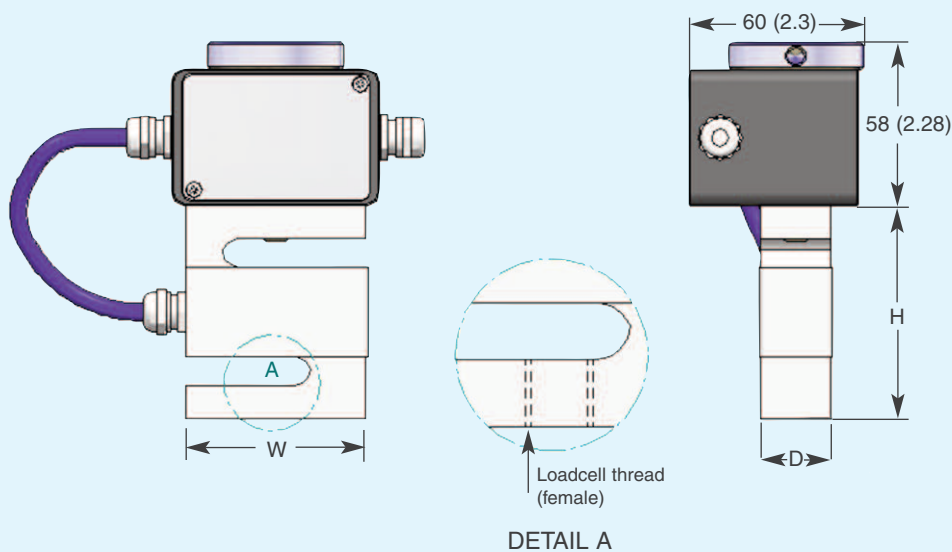
% of full scale (fs)	N
±0.1% fs	100N - 2500N
±0.2% fs	5000N

All measurements are in millimetres (inches)
* measured without loadcell or grips

MultiTest 10-xt & 25-xt

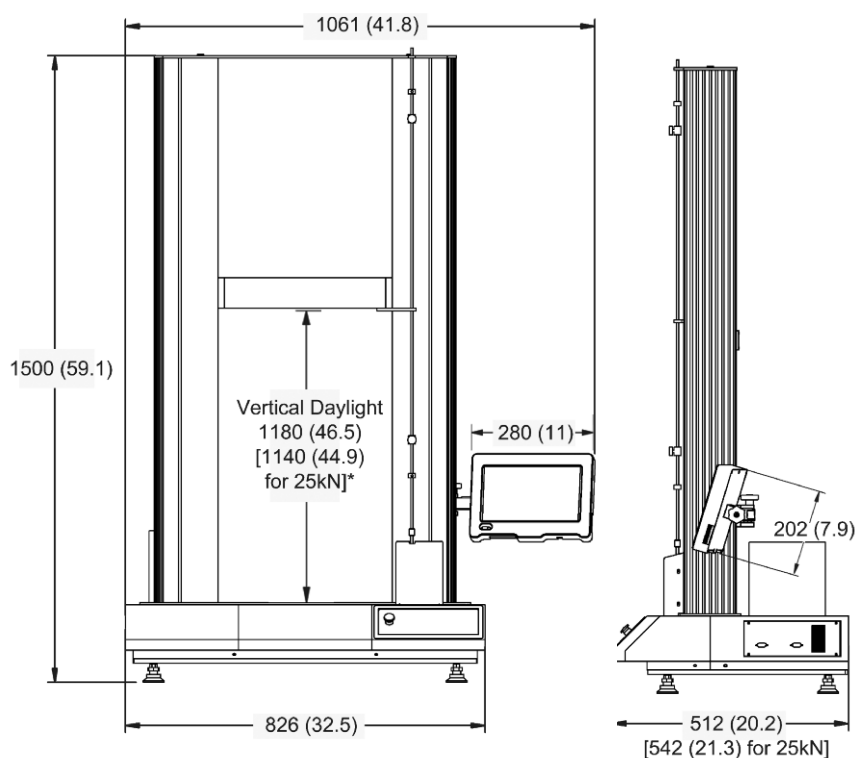
Intelligent Loadcell ILC-T

For use with twin-column stands only



ILC-T capacity	Part No.	Thread	Overall daylight reduction	Loadcell width (W)	Loadcell depth (D)	Loadcell height (H)
10kN	879-025	M12 x 1.75	134 (5.3)	51 (2)	25 (0.98)	76 (2.9)
25kN	879-026	M16 x 2	147 (5.8)	76 (2.9)	38 (1.5)	89 (3.5)

All measurements are in millimetres and (inches)




Note: Adaptors are supplied to allow fitting of ILC and ILC-S / T loadcells directly to moving crosshead

Twin-Column Dovetail Adaptor

NOTE: For use with ILC and ILC-S
Supplied as standard with MultiTest 10-xt & 25-xt

Rated capacity	Part No.
5kN	432-256



ILC-T Load Measurement Accuracy

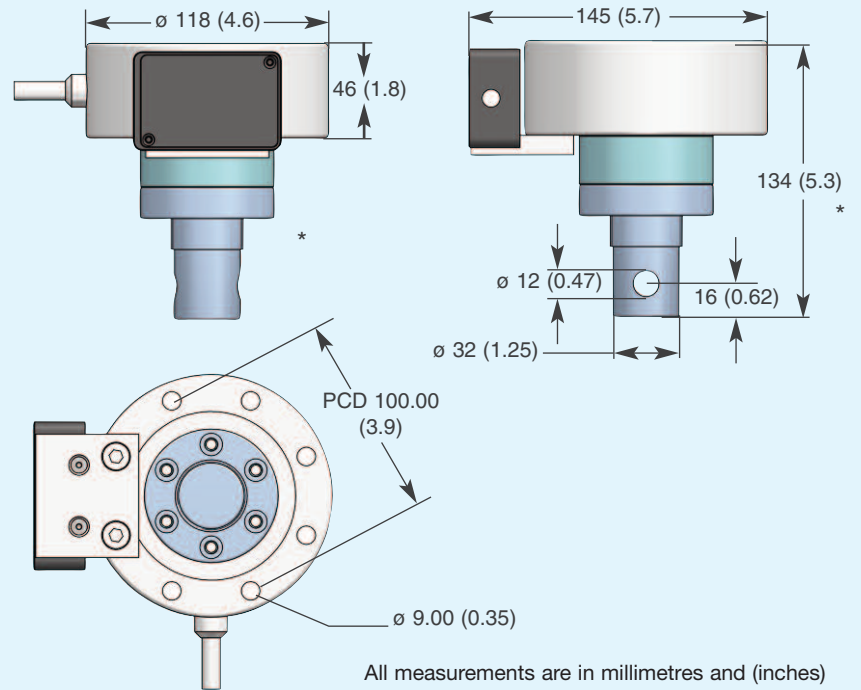
% of full scale (fs)	N
±0.2% fs	10kN - 25kN

* measured without loadcell or grips

MultiTest 50-xt

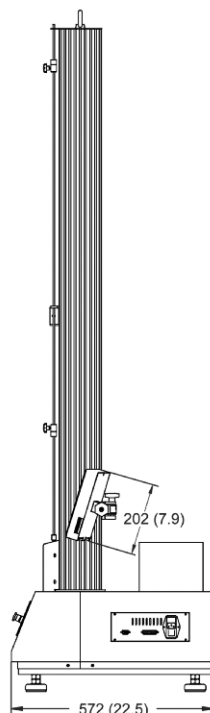
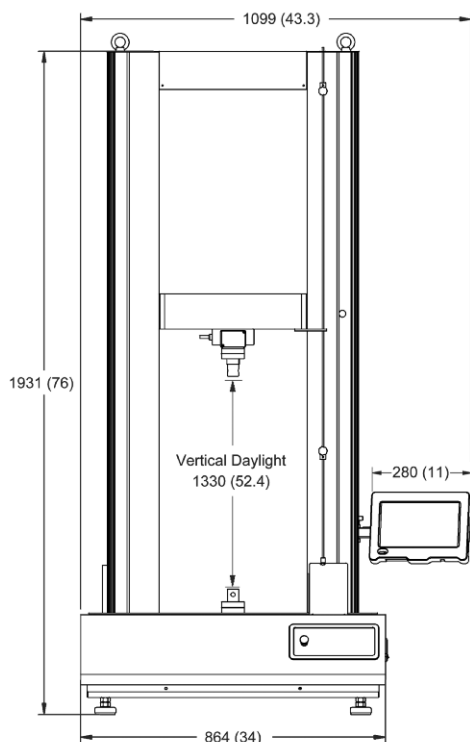


Intelligent Loadcell ILC-P



ILC-P capacity	Part No.	Thread	Overall daylight reduction	Loadcell diameter (Ø)	Loadcell height (H)
20kN	879-077	M18 x 1.5	134 (5.3)	118 (4.6)	134 (5.3)
50kN	879-076	M18 x 1.5	134 (5.3)	118 (4.6)	134 (5.3)

All measurements are in millimetres and (inches)



Note: Adaptors are supplied to allow fitting of additional ILC and ILC-S / T loadcells to ILC-P loadcells or directly to moving crosshead.

Twin-column Dovetail Adaptor

NOTE: For use with ILC and ILC-S
Supplied as standard with MultiTest 50-xt

Rated capacity	Part No.
5kN	432-256



ILC-P Load Measurement Accuracy

% of full scale (fs)	N
±0.2% fs	20kN - 50kN

Specifications

MultiTest-xt		0.5	1	2.5	5	10	25	50
TEST FRAME								
Rated capacity	N	500	1000	2500	5000	10000	25000	50000
	kgf	50	100	250	500	1000	2500	5000
	lbf	110	220	550	1100	2200	5500	11000
Number of ballscrews		1	1	1	1	2	2	2
Speed range	mm/min	1 - 1000	1 - 1000	1 - 1000*	1 - 500	1 - 1000	1 - 1000**	1 - 400***
	in/min	0.04 - 40	0.04 - 40	0.04 - 40	0.04 - 20	0.04 - 40	0.04 - 40	0.04 - 15
Crosshead speed accuracy		±0.1% of indicated speed						
Distance between columns		-	-	-	-	400mm (15.7")	400mm (15.7")	420mm (16.5")
Throat depth****		67mm (2.6")	67mm (2.6")	67mm (2.6")	95mm (3.7")	-	-	-
Vertical daylight*****		1359mm (53.5")	1159mm (45.6")	590mm (23.2")	710mm (28.0")	1180mm (46.5")	1140mm (44.9")	1330mm (52.4")
Height		1710mm (67.3")	1510mm (59.4")	941mm (37")	1082mm (42.6")	1500mm (59.1")	1500mm (59.1")	1931mm (76")
Width (test frame only)		290mm (11.4")	290mm (11.4")	290mm (11.4")	328mm (12.9")	826mm (32.5")	826mm (32.5")	864mm (34")
Max width (with console fitted)		546mm (21.5")	546mm (21.5")	546mm (21.5")	615mm (24.2")	1061mm (41.8")	1061mm (41.8")	1099mm (43.3")
Depth		414mm (16.3")	414mm (16.3")	414mm (16.3")	526mm (20.7")	512mm (20.2")	542mm (21.3")	572mm (22.5")
Weight		43kg (95lbs)	41kg (90lbs)	27kg (60lbs)	43kg (95lbs)	115kg (254lbs)	145kg (320lbs)	290kg (639lbs)
Maximum power requirement		120 watts	200 watts	250 watts	150 watts	400 watts	450 watts	450 watts
Voltage		230V AC 50Hz or 110V AC 60Hz						
LOAD MEASUREMENT								
Available loadcell ranges	N	2 to 50000 (14 models)						
	kgf	0.2 to 5000 (14 models)						
	lbf	0.45 to 11000 (14 models)						
Loadcell measurement accuracy		±0.1% of full scale for loadcells from 2 to 2500N ±0.2% of full scale for loadcells from 5000 to 50000N						
Loadcell measurement resolution		1:6500						
DISPLACEMENT								
Crosshead travel****		1200mm (47.3")	1000mm (39.4")	500mm (19.7")	590mm (23.2")	960mm (37.8")	950mm (37.4")	1100mm (43.3")
Position control resolution		±0.01mm (±0.0004")						

* 2.5kN - recommended maximum speed = 750mm/min (30in/min) above 2000N

** 25kN - recommended maximum speed = 500mm/min (20in/min) above 10000N

*** 50kN - recommended maximum speed = 250mm/min (10in/min) above 25kN

**** measured on centre line of loadcell

***** measured without loadcell or grips

Common Specifications

Operating temperature	10C - 35C (50F - 95F)
Humidity range	Normal industry and laboratory conditions
Sampling rate (Hz)	Selectable from 1000, 500, 100, 50, 10
Compensation for system movement	Yes
Loadholding	Yes
Digital display of Load/Position/Speed	Yes
Output of test results to PC/Printer/Datalogger	Yes, via USB/Network Ports or Wireless Network RS232 via USB/Network converter in ASCII Format
Communication with PLC/Digital Control Interface	Yes, via programmable digital ports 6 Inputs + 6 Outputs

Options

Column gaiter	Available upon request
Safety guard	

Mecmesin reserves the right to alter equipment specifications without prior notice.

E&OE

Mecmesin

testing to perfection

Over 30 Years Experience in Force & Torque Technology

Formed in 1977, Mecmesin Limited is today widely regarded as a leader in force and torque technology for quality control testing in design and production. The Mecmesin brand stands for excellent levels of performance and reliability, guaranteeing high quality results. Quality control managers, designers and engineers working on production lines and in research laboratories worldwide rely upon Mecmesin force & torque measurement systems for a range of quality control testing applications, which is almost limitless.

Visit us on the web at:
www.mecmesin.com



Algeria	Hong Kong	Portugal
Argentina	Hungary	Romania
Australia	India	Russia
Austria	Indonesia	Saudi Arabia
Bangladesh	Iran	Singapore
Belgium	Ireland	South Africa
Brazil	Israel	Slovenia
Canada	Italy	Slovakia
Chile	Japan	Spain
China	Korea	Sri Lanka
Colombia	Lebanon	Sweden
Costa Rica	Malaysia	Switzerland
Czech Republic	Morocco	Taiwan
Denmark	Mexico	Tunisia
Egypt	Netherlands	Thailand
Finland	New Zealand	Turkey
France	Norway	USA
Germany	Philippines	Venezuela
Greece	Poland	Vietnam

Wherever you are in the world Mecmesin can help you through its global distribution network



Certificate No. FS 58553

DISTRIBUTOR STAMP

Head Office Mecmesin Limited

Newton House,
Spring Copse Business Park,
Slinfold, West Sussex,
RH13 0SZ, United Kingdom.
e: sales@mecmesin.com
t: +44 (0) 1403 799979
f: +44 (0) 1403 799975

North America Mecmesin Corporation

45921 Maries Road,
Suite 120, Sterling
Virginia 20166,
U.S.A.
e: info@mecmesincorp.com
t: +1 703 433 9247
f: +1 703 444 9860

Asia Mecmesin Asia Co. Ltd

308 Soi Rohitsuk,
Ratchadapisek 14 Road,
Huaykwang, Bangkok, 10310,
Thailand.
e: sales@mecmesinasia.com
t: +66 2 275 2920 1
f: +66 2 275 2922

China Mecmesin (Shanghai) Pte Ltd

Room 302, No. 172,
Daxue Lu - University Avenue,
Yangpu District, Shanghai, 200433,
People's Republic of China.
e: sales@mecmesin.cn
t: +86 21 5566 1037 / 3377 1733
f: +86 21 5566 1036